



20 Inch traffic countdown timer



20' countdown timer



Features/Benefits

- This signal is specially designed to increase the safety of car driver, by showing number of seconds left to change signals from red light to green light to yellow signal or from green signal to yellow signal to red signal to assist drivers to determine if he should continue driving or should slow down to wait for light changed.
- When Green Vehicle Signal is on, the Green Digits will be shown with count down digits, to show the number of seconds left before the Green Light is changed to be Yellow.
- When Yellow Vehicle Signal is on, the Yellow Digits will be shown with count down digits, to show the number of seconds left before the Yellow Light is changed to be Red.
- When Red Vehicle Signal is on, the Red Digits will be shown with count down digits, to show the number of seconds the car driver needs to wait before the Red Light is changed into Green.
- The maximum number of two digits is 99 seconds. If the countdown time is set exceeding 99 seconds, the signal will not show the digit until it counts 99 seconds.

Specifications

- **lightning protection:40KV**
- Discription:Fixed Time Mode:Displays countdown to signal change manual Mode:Displays"01"
- Control signal:controlled by signal from traffic signal system.
- Control system:Microprocessor.
- Display Type:two digits,two and half one digits, Three digits
- Voltage:110VAC/220VAC
- Power consumption:25W
- Temperature:-20~70℃
- Resistance:Water and Dust at level IP54
- Installation:Horizontal(tall pole)
Vertical(short pole)



SHENZHE NOBLE OPTO CO.,LTD

green light,green life

Http://www.nobleled.com E-mail:sales@nobleled.com TEL:+86-755-27654119 FAX:+86-755-29002484

Installation: Horizontal(tall pole)

Vertical(short pole)



Sample:



Characteristics

Color	Size	Model Number	Profile	Voltage	LEDs	Typical Wattage at 25°C	Luminance (cd/m ²)	Typical Dominant Wavelength (nm)
Red	99	NBDJS511R-1	square	110V/220VAC	490s	<25W	>4000	625
Yellow		NBDJS511Y-1	square		210s	<10W	>4000	590
Green		NBDJS511G-1	square		336s	<25W	>4000	500
Red	199	NBDJS188R-1	square		560s	<28W	>4000	625
Yellow		NBDJS188Y-1	square		210s	<10W	>4000	590
Green		NBDJS188G-1	square		384s	<28W	>4000	500
Red	999	NBDJS888R-1	square		735s	<36W	>4000	625
Yellow		NBDJS888Y-1	square		210s	<10W	>4000	590
Green		NBDJS888G-1	square		504s	<36W	>4000	500



SHENZHE NOBLE OPTO CO.,LTD

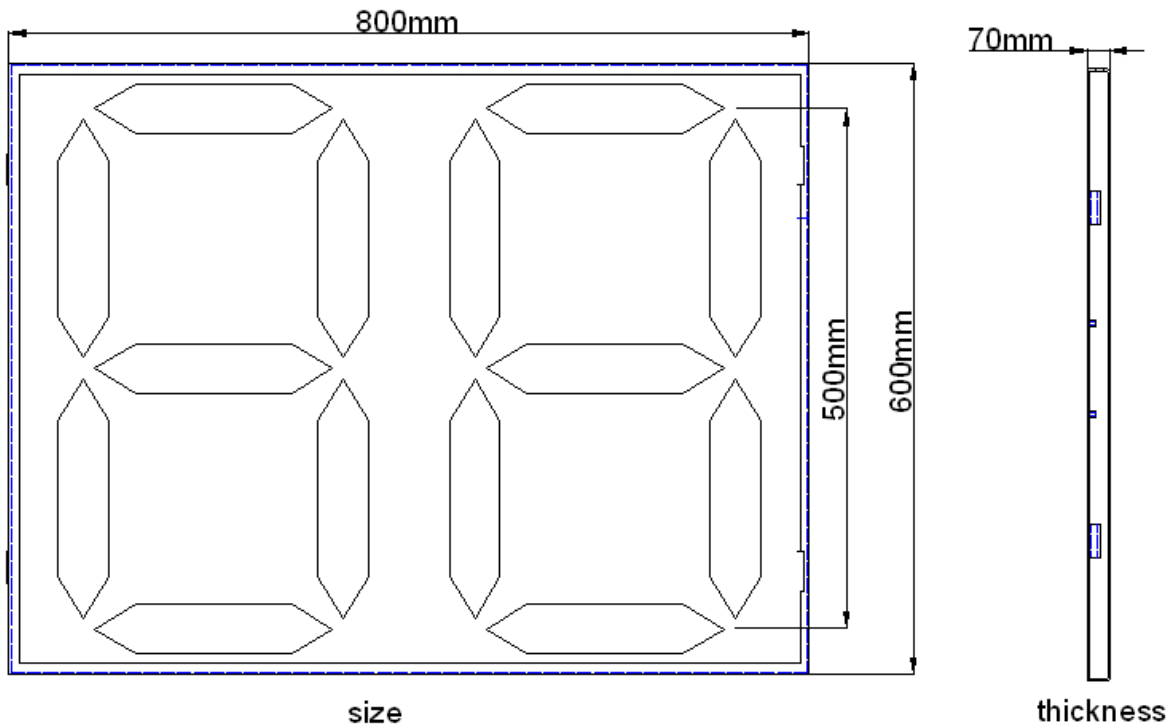
green light,green life

Http://www.nobleled.com E-mail:sales@nobleled.com TEL:+86-755-27654119 FAX:+86-755-29002484

Gather to pack:

Model	housing material	Dim.of Outer Carton	Quantity/CTN	G.W/CTN	N.W/CTN	packing
NBDJS513RYG-1	Cold steel	900*690*230mm	1PCS	28.0KGS	23.0KGS	carton
NBDJS188-RYG	Cold steel	1050*690*230mm	1PCS	34.0KGS	31.0KGS	carton
NBDJS888-RYG	Cold steel	1300*690*230mm	1PCS	47.0KGS	43.0KGS	carton

NBDJS513RYG-1 housing size:

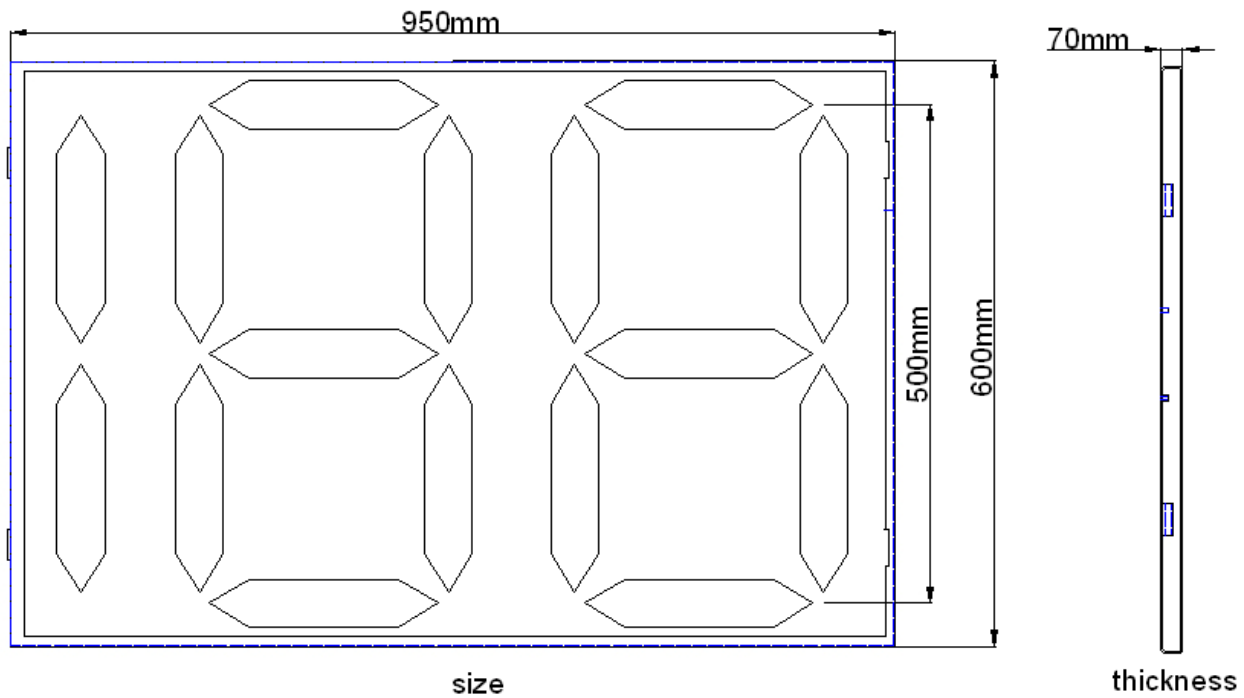


NBDJS188-RYG housing size:

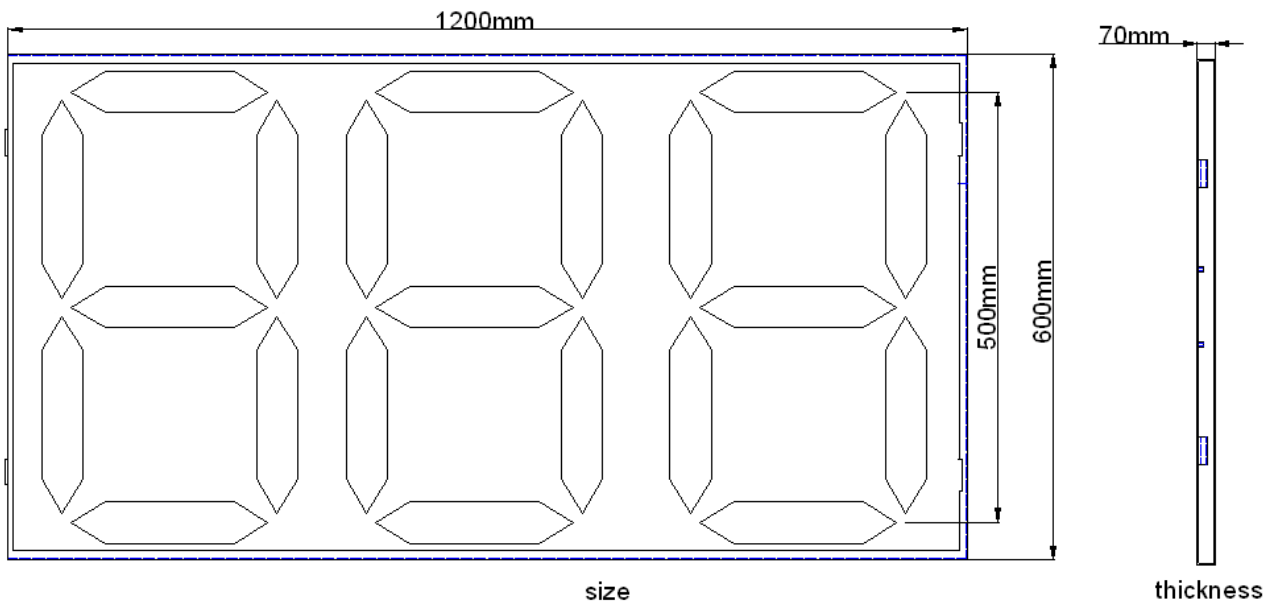


SHENZHE NOBLE OPTO CO.,LTD
green light,green life

Http://www.nobleled.com E-mail:sales@nobleled.com TEL:+86-755-27654119 FAX:+86-755-29002484



NBDJS888-RYG housing size:



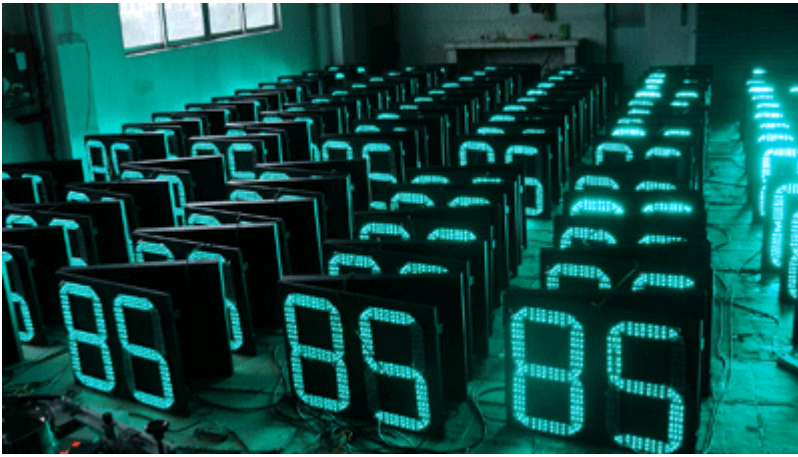


NOBLE

SHENZHE NOBLE OPTO CO.,LTD

green light,green life

Http://www.nobleled.com E-mail:sales@nobleled.com TEL:+86-755-27654119 FAX:+86-755-29002484





SHENZHE NOBLE OPTO CO.,LTD

green light,green life

Http://www.nobleled.com E-mail:sales@nobleled.com TEL:+86-755-27654119 FAX:+86-755-29002484

