



4 Inch Incandescent Look LED Traffic Signals



4' Vehicle traffic light



www.nobleled.com

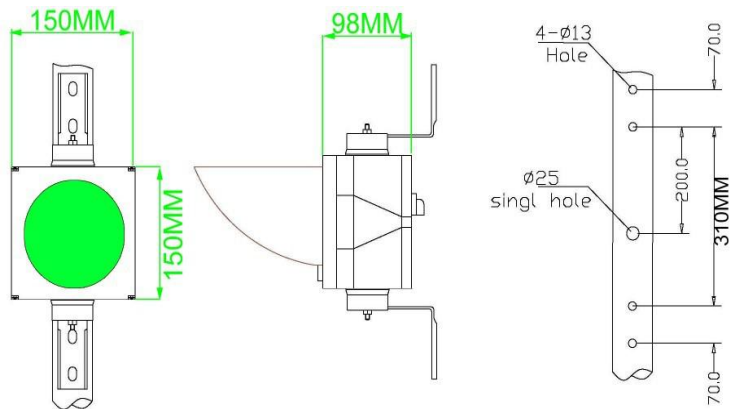
Features/Benefits

- Reduce overall operating & maintenance costs:Energy saving:90% reduction in power consumption vs incandescent
- Reliability & traffic safety:·Improved visibility over life of the product Reduces emergency lamps outs Design minimizes sun phantom effects
- Easy to install into existing signal enclosure

Specifications

- Shape:100mm (4")
- High brightness LEDs with integrated optics
- Moisture and dust tight seal (IP65)
- Total Harmonic Distortion<20%
- OperatingTemperature Range(optional): -20°C to 60°C
- Angle:Avg. ≥30° Down ≥30°
- Operating voltage Range:24VDC
- Insulation Resistance:≥2M
- Life:100,000H
- housing material:PC

Size(Unit:inch (mm))





SHENZHE NOBLE OPTO CO.,LTD

green light,green life

Http://www.nobleled.com E-mail:sales@nobleled.com TEL:+86-755-27654119 FAX:+86-755-29002484

Characteristics								
Color	Size	Model Number	Profile	Voltage VDC	LEDs	Typical Wattage at 25°C	Luminance (cd/m ²)	Typical Dominant Wavelength (nm)
	(mm)							
Red	100	NBJD100R	Round	12-24V DC , 85-265V AC	39s	<5W	>1000	625

Gather to pack:						
Model	housing material	Dim.of Outer Carton	Quantity/CTN	G.W/CTN	N.W/CTN	packing
NBJD111F-39 -Y	PC	46*18*22mm	2PCS	2.82	3.04	carton

Product Photo:



SHENZHE NOBLE OPTO CO.,LTD

green light,green life

Http://www.nobleled.com E-mail:sales@nobleled.com TEL:+86-755-27654119 FAX:+86-755-29002484

Block B1 ,Xingdabao Industrial Building, Sanlian Industry Zone, Shiyan, Bao'an District, Shenzhen, P.R.China
 TEL:86-0755-27651481 FAX:86-0755-27651483 PostCode:518108
[Http://www.nobleled.com](http://www.nobleled.com) Email:sales@nobleled.com Copyright©Noble opto co.,ltd



NOBLE

SHENZHE NOBLE OPTO CO.,LTD

green light,green life

Http://www.nobleled.com E-mail:sales@nobleled.com TEL:+86-755-27654119 FAX:+86-755-29002484

PC Visor L-bracket:



Aluminum Visor L-bracket:



NOBLE

SHENZHE NOBLE OPTO CO.,LTD

green light,green life

Http://www.nobleled.com E-mail:sales@nobleled.com TEL:+86-755-27654119 FAX:+86-755-29002484

Block B1 ,Xingdabao Industrial Building, Sanlian Industry Zone, Shiyan, Bao'an District, Shenzhen, P.R.China
TEL:86-0755-27651481 FAX:86-0755-27651483 PostCode:518108
[Http://www.nobleled.com](http://www.nobleled.com) Email:sales@nobleled.com Copyright©Noble opto co.,ltd