



Shenzhen Noble Opto Co., Ltd



www.nobleled.com alice@nobleled.com

Green Light, Green Life

Mob: +86-150 1339 1817 Tel: +86-0755-27654119-806 Fax: +86-0755-27651483

Add.: Building C3, Mingjinhai Industrial Park, Zhoushi Road, Shiyan Town, Bao'an District, Shenzhen, China 518108

300mm LED Traffic Countdown Timer

NBDJS321-RG



12' Vehicle traffic light

Specifications



Shenzhen Noble Opto CO.,LTD



www.nobleled.com



- Shape:300mm (12") transparent lens
- High brightness LEDs with integrated optics
- Moisture and dust tight seal
- Total Harmonic Distortion<20%
- Operating temperature: -30°C to 60°C
- Angle:Avg. ≥30° Down ≥30°
- Operating voltage Range:12VDC 110/220VAC
- Insulation Resistance:≥2M
- Life:100,000H
- Housing material:PC

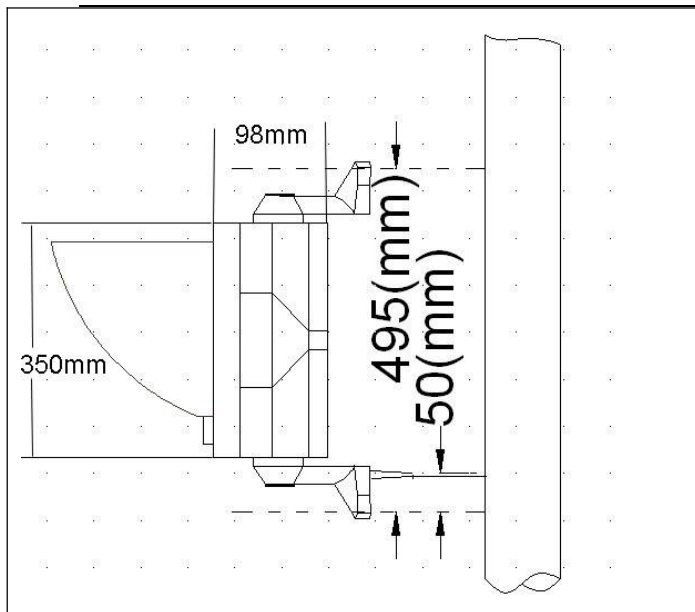
Size(Unit:inch(mm))

Features/Benefits

Green Light, Green life

Safety Light,

safety life.



- Energy saving
- Easy installation
- Low power consumption
- Wide working voltage
- Water-and dust-proof (IP65)
- CE&RoHS
- In accordance with EN12368

Characteristics

Model	Color	Size (mm)	Profile	Voltage VDC	LEDs	Typical Wattage at 25°C	Luminance (cd/m ²)	Typical Dominant Wavelength (nm)
NBDJS321-RG	Red	300	Round	12~24VDC 100~277VAC	112s	<7	>400	625±5
	Green	300	Round	12VDC 110/220VAC	112s	<7	>400	505±2

Gather to pack:

Model	Housing material	Dim.of Outer Carton	Quantity/CTN	G.W/CTN	N.W/CTN	Packing
NBJD321-RG	PC	880*410*200mm	1	7.17kgs	5.41kgs	Carton

*Green Light, Green life
safety life.*

Safety Light,